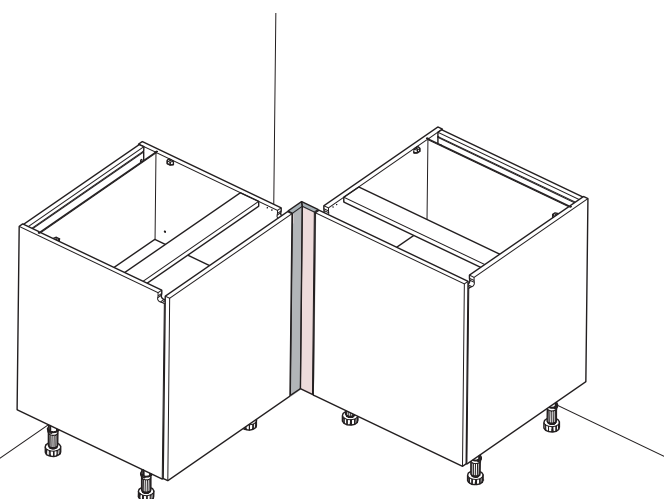
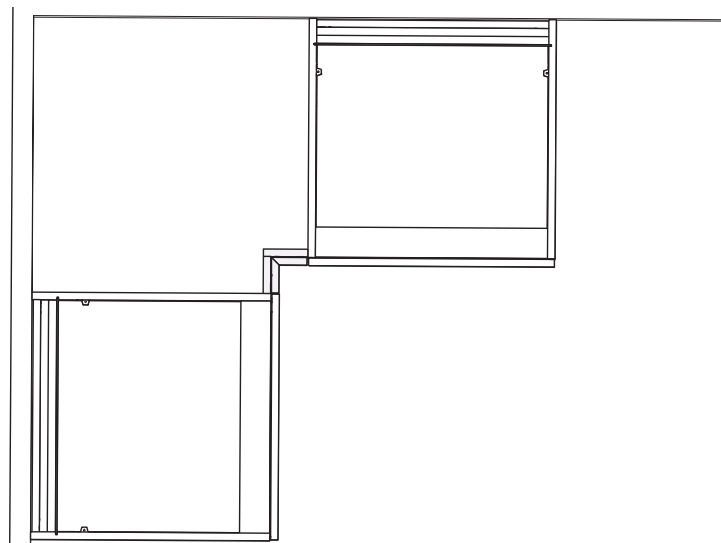
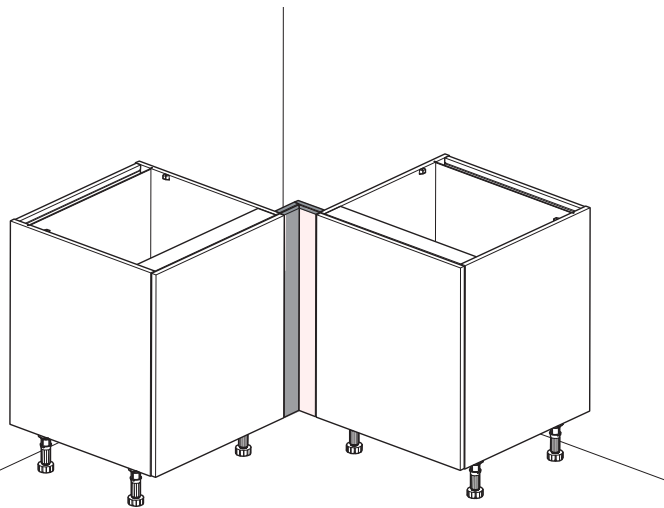


Filler d'angle façade

Corner front filler

Instructions de montage

Mounting instructions



NOT_0000144



Réf: FIBA4, FIBA9, FIBA14, FIBA19, FIB8A4, FIB8A9, FIB8A14, FIB8A19, SFIFB(8)A4, SFIFB(8)A9
N° AR:

