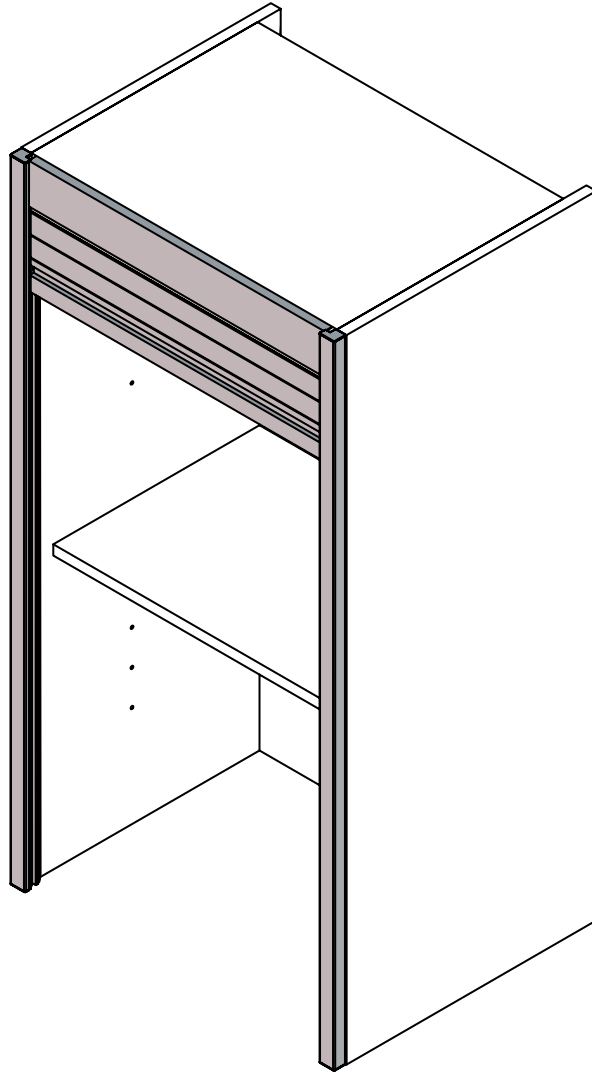





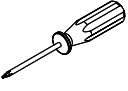

# Meuble rideau

## Roller shutter unit

Instructions de montage  
Mounting instructions



Nécessaire / Necessary

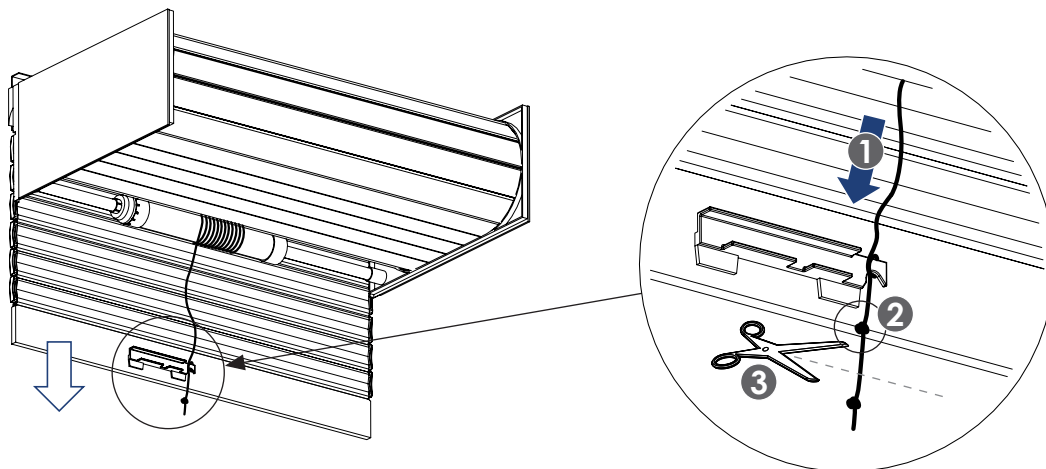
 x 1	 10 min								
--------------------------------------------------------------------------------------------	-----------------------------------------------------------------------------------------------	-------------------------------------------------------------------------------------	-------------------------------------------------------------------------------------	-------------------------------------------------------------------------------------	--	--	--	--	--

Références / References

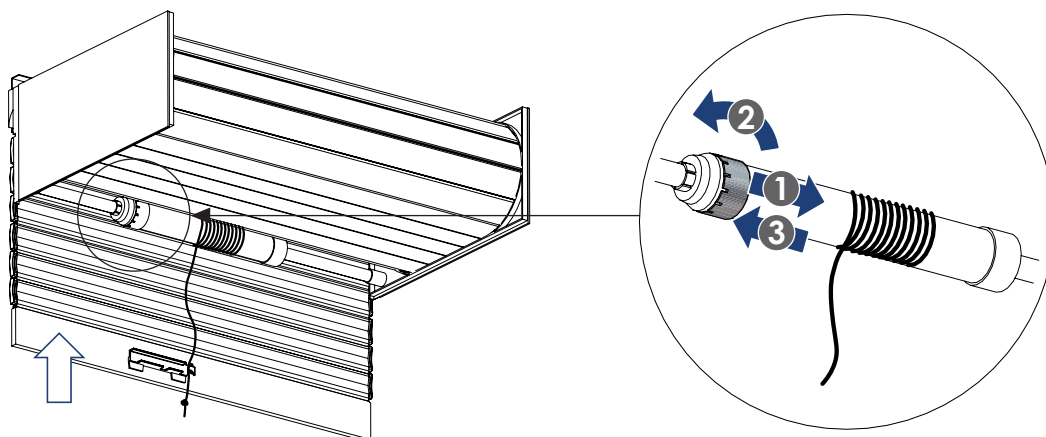
R6MI	R12MI	R12KI	R13MI	R13KI
------	-------	-------	-------	-------

# 1 Réglage du rideau (si nécessaire) / Adjustment of the roller shutter (if necessary)

Si le rideau ne tient pas en position ouverte / If the roller shutter does not keep the open position

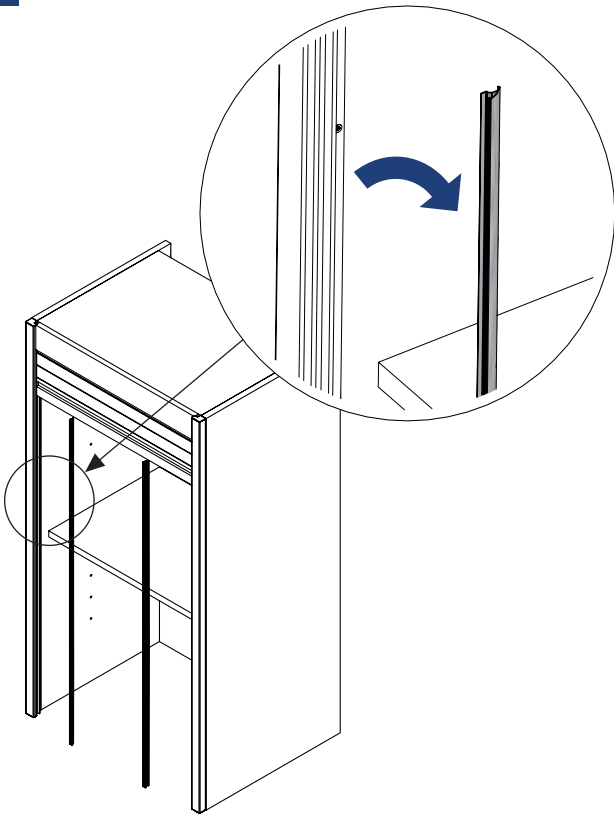


Si le rideau ne tient pas en position fermée / If the roller shutter does not keep the closed position

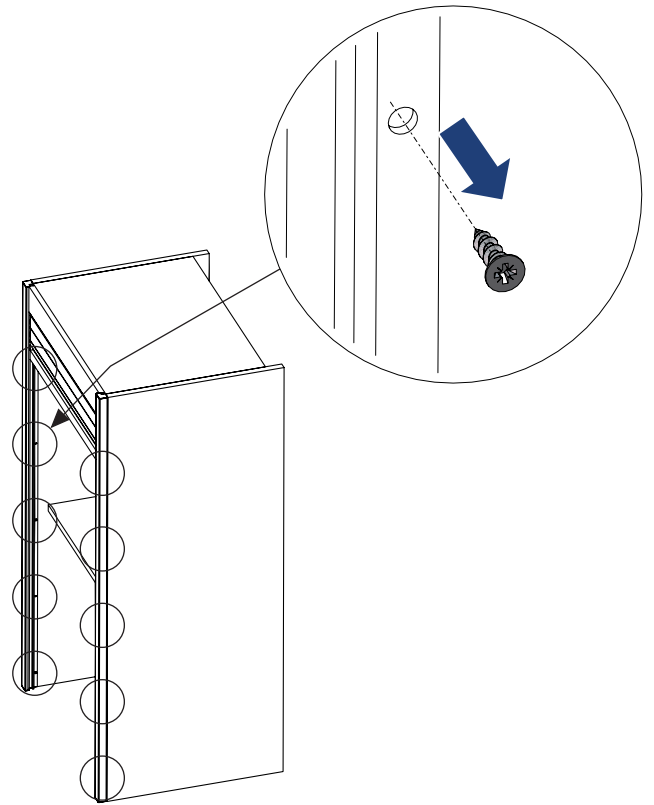


## 2 Démontage du rideau / Disassembly of the roller shutter

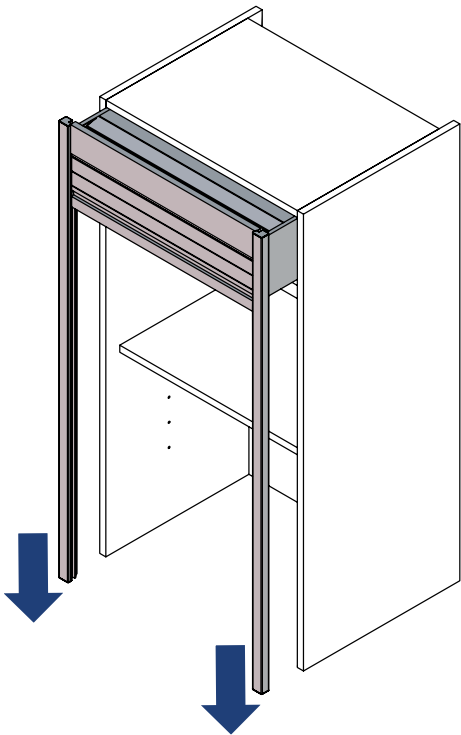
1



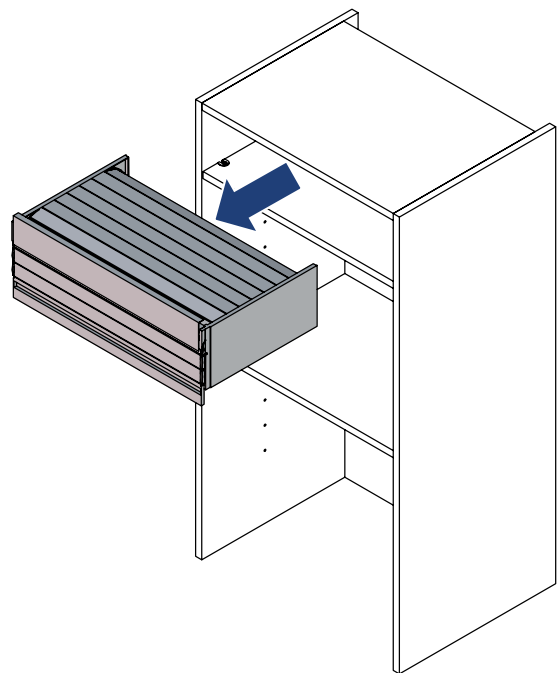
2



3

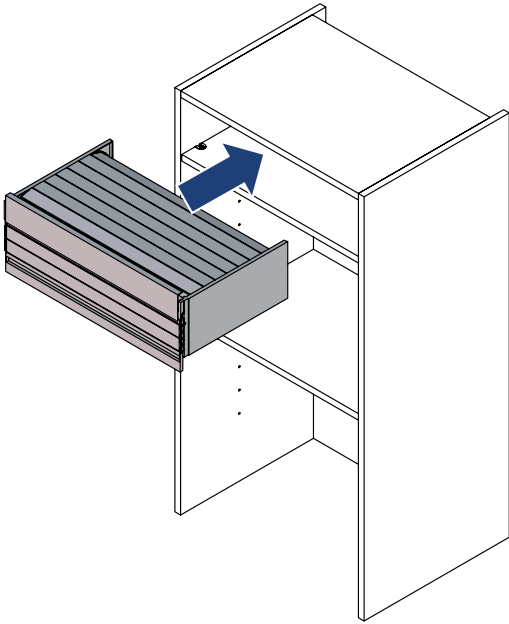


4

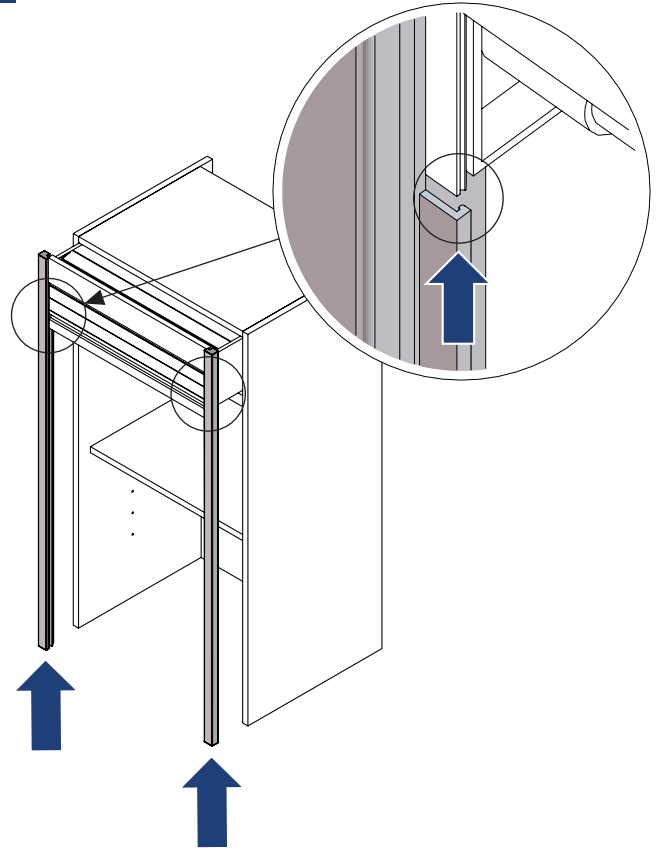


### 3 Montage du rideau / Assembly of the roller shutter

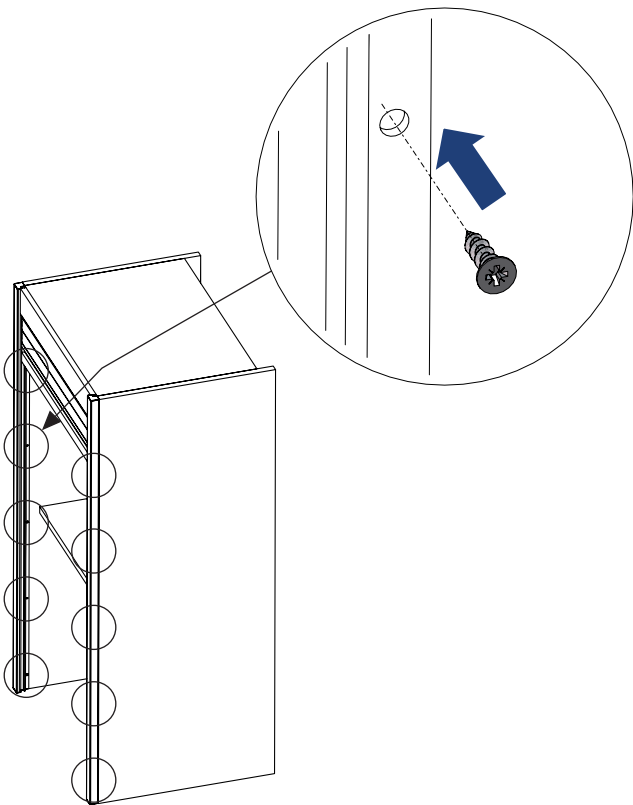
1



2



3



4

